



PRODUCTS CATALOG

ELECTRICAL ENCLOSURES & MODULAR CABINETS



20

exmweb.com

NEMA 4X ENCLOSURES

5412 ESSP

WATER, OIL & DUST TIGHT STAINLESS STEEL ENCLOSURES

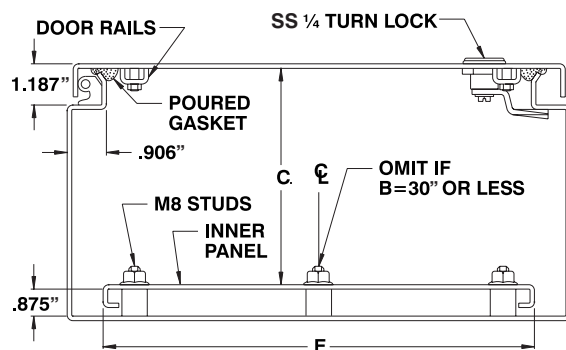
The 5412 ESSP water, oil & dust tight enclosures are used indoors or outdoors, in areas where a corrosion problem exists or where the enclosures may be subject to hosing or water coming from any direction, or for protection against dust, dirt or oil splashing. The 5412 ESSP are made of high quality 14 GA or 16 GA (Type 304) stainless steel, with continuously welded corner seams. The opening has a curled lip around all sides to increase rigidity and prevent dripping water from entering

the enclosure when the door is open. A high quality, robotically poured-in-place, seamless gasket ensures a complete and durable water tight seal. The pins of the concealed hinges can be pulled out to remove the door. A ¼ turn locking mechanism ensures positive closing. Internal mounting holes are provided. **Each enclosure comes complete with a 12 GA galvanized inner panel,** which is double bent* for maximum rigidity and mounts on M8 welded studs. The powder coat-

ing further protects the stainless steel against the elements. Enclosures are finished with heat fused powder paint, electrostatically applied on a pretreated base. Box is ANSI/ASA 61 smooth gray. Inner panel is galvanized (other colors available).

**CSA Certified / UL Listed
NEMA/EEMAC 4X / IP66**

Refer to p.734 to validate choice of substrate for the application

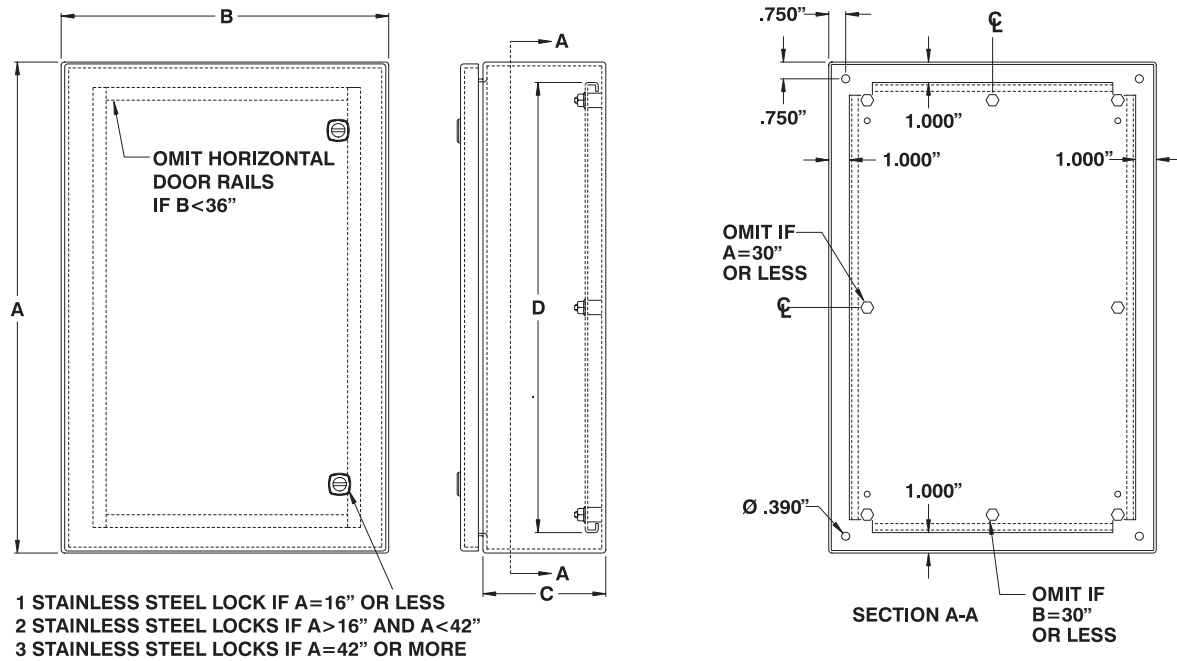


CATALOG NUMBER	DIMENSIONS					SHIP WGHT LBS.
	A	B	C	D	E	
5412 ESSP121206	12	12	6	10	10	19
5412 ESSP122406	12	24	6	10	22	35
5412 ESSP161206	16	12	6	14	10	24
5412 ESSP161606	16	16	6	14	14	31
5412 ESSP162006	16	20	6	14	18	37
5412 ESSP201206	20	12	6	18	10	29
5412 ESSP201606	20	16	6	18	14	37
5412 ESSP202006	20	20	6	18	18	45
5412 ESSP202406	20	24	6	18	22	53
5412 ESSP241206	24	12	6	22	10	35
5412 ESSP241606	24	16	6	22	14	44
5412 ESSP242006	24	20	6	22	18	53
5412 ESSP242406	24	24	6	22	22	62
5412 ESSP301606	30	16	6	28	14	53
5412 ESSP302006	30	20	6	28	18	65
5412 ESSP302406	30	24	6	28	22	76
5412 ESSP362406	36	24	6	34	22	90
5412 ESSP363006	36	30	6	34	28	109
5412 ESSP122408	12	24	8	10	22	38
5412 ESSP161208	16	12	8	14	10	27
5412 ESSP161608	16	16	8	14	14	34
5412 ESSP162008	16	20	8	14	18	41
5412 ESSP201208	20	12	8	18	10	33
5412 ESSP201608	20	16	8	18	14	41
5412 ESSP202008	20	20	8	18	18	49
5412 ESSP202408	20	24	8	18	22	57
5412 ESSP241208	24	12	8	22	10	38
5412 ESSP241608	24	16	8	22	14	48
5412 ESSP242008	24	20	8	22	18	57
5412 ESSP242408	24	24	8	22	22	67
5412 ESSP243008	24	30	8	22	28	81
5412 ESSP301208	30	12	8	28	10	46
5412 ESSP301608	30	16	8	28	14	58
5412 ESSP302008	30	20	8	28	18	70
5412 ESSP302408	30	24	8	28	22	81
5412 ESSP303008	30	30	8	28	28	98
5412 ESSP303608	30	36	8	28	34	116
5412 ESSP362408	36	24	8	34	22	95
5412 ESSP363008	36	30	8	34	28	116
5412 ESSP363608	36	36	8	34	34	136
5412 ESSP422408	42	24	8	40	22	110
5412 ESSP423008	42	30	8	40	28	133



354





CATALOG NUMBER	DIMENSIONS					POIDS EN LBS.	CATALOG NUMBER	DIMENSIONS					SHIP WGT LBS.
	A	B	C	D	E			A	B	C	D	E	
5412 ESSP423608	42	36	8	40	34	156	5412 ESSP363012	36	30	12	34	28	129
5412 ESSP482408	48	24	8	46	22	124	5412 ESSP363612	36	36	12	34	34	150
5412 ESSP483008	48	30	8	46	28	150	5412 ESSP422412	42	24	12	40	22	118
5412 ESSP483608	48	36	8	46	34	177	5412 ESSP423012	42	30	12	40	28	147
5412 ESSP603608	60	36	8	58	34	218	5412 ESSP423612	42	36	12	40	34	172
5412 ESSP161210	16	12	10	14	10	30	5412 ESSP482412	48	24	12	46	22	138
5412 ESSP201610	20	16	10	18	14	44	5412 ESSP483612	48	36	12	46	34	193
5412 ESSP202010	20	20	10	18	18	53	5412 ESSP602412	60	24	12	58	22	169
5412 ESSP241210	24	12	10	22	10	42	5412 ESSP603612	60	36	12	58	34	236
5412 ESSP242010	24	20	10	22	18	62	5412 ESSP723012	72	30	12	70	28	240
5412 ESSP242410	24	24	10	22	22	71	5412 ESSP723612	72	36	12	70	34	279
5412 ESSP302010	30	20	10	28	18	74	5412 ESSP242016	24	20	16	22	18	74
5412 ESSP302410	30	24	10	28	22	86	5412 ESSP242416	24	24	16	22	22	86
5412 ESSP303010	30	30	10	28	28	100	5412 ESSP302416	30	24	16	28	22	102
5412 ESSP362410	36	24	10	34	22	101	5412 ESSP362416	36	24	16	34	22	119
5412 ESSP363010	36	30	10	34	28	122	5412 ESSP363016	36	30	16	34	28	142
5412 ESSP423010	42	30	10	40	28	140	5412 ESSP423616	42	36	16	40	34	187
5412 ESSP423610	42	36	10	40	34	164	5412 ESSP483616	48	36	16	46	34	210
5412 ESSP483010	48	30	10	46	28	158	5412 ESSP603616	60	36	16	58	14	255
5412 ESSP483610	48	36	10	46	34	185	5412 ESSP723016	72	30	16	70	28	260
5412 ESSP603610	60	36	10	58	34	227	5412 ESSP723616	72	36	16	70	34	301
5412 ESSP201612	20	16	12	18	14	48	5412 ESSP302420	30	24	20	28	22	113
5412 ESSP202012	20	20	12	18	18	57	5412 ESSP363020	36	30	20	34	28	155
5412 ESSP202412	20	24	12	18	22	66	5412 ESSP483620	48	36	20	46	34	226
5412 ESSP242012	24	20	12	22	18	66	5412 ESSP603620	60	36	20	58	34	274
5412 ESSP242412	24	24	12	22	22	76	5412 ESSP723020	72	30	20	70	28	280
5412 ESSP302412	30	24	12	28	22	92	5412 ESSP302424	30	24	24	28	22	123
5412 ESSP303012	30	30	12	28	28	110	5412 ESSP723024	72	30	24	70	28	300
5412 ESSP362412	36	24	12	34	22	107							

Insulated box? To have your enclosure insulated, add suffix "TH"

i.e.: 5412 ESSP362412TH ← Insulated stainless steel enclosure

